



**TWISTED
THROTTLE**.COM

Bolt-On Touring Accessories that fit YOUR motorcycle!

Universal Case Bolt-on Kit For SW-Motech & Givi Sidecarriers

Fits cases smaller than:
13" wide by 9" tall

PEL.00.10100



PLEASE READ BEFORE INSTALLING

TWISTED THROTTLE products should be installed by a qualified, experienced motorcycle technician. If you are unsure of your ability to properly install a product, please have the product installed by your local motorcycle dealer. TWISTED THROTTLE takes no responsibility for damages caused by improper installation.

Medium strength liquid thread-locker (i.e., "Loctite") should be used to secure all screws, bolts, and nuts.

All screws, bolts, and nuts should be checked after driving the first 30 miles (50 km) to ensure that all are tightened to the proper torque.

All screws, bolts, and nuts, including all replacement hardware provided by TWISTED THROTTLE should be tightened to the torque specified in the OEM maintenance manual for your motorcycle. If no torque specifications are provided in the OEM maintenance manual, the following torques may be used:

M5.....	3.5 ft-lbs (5 Nm)
M6.....	6.5 ft-lbs (9 Nm)
M8.....	16 ft-lbs (22 Nm)
M10.....	32 ft-lbs (43 Nm)
M12.....	55 ft-lbs (75 Nm)

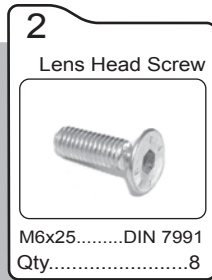


Instruction Rev: 00

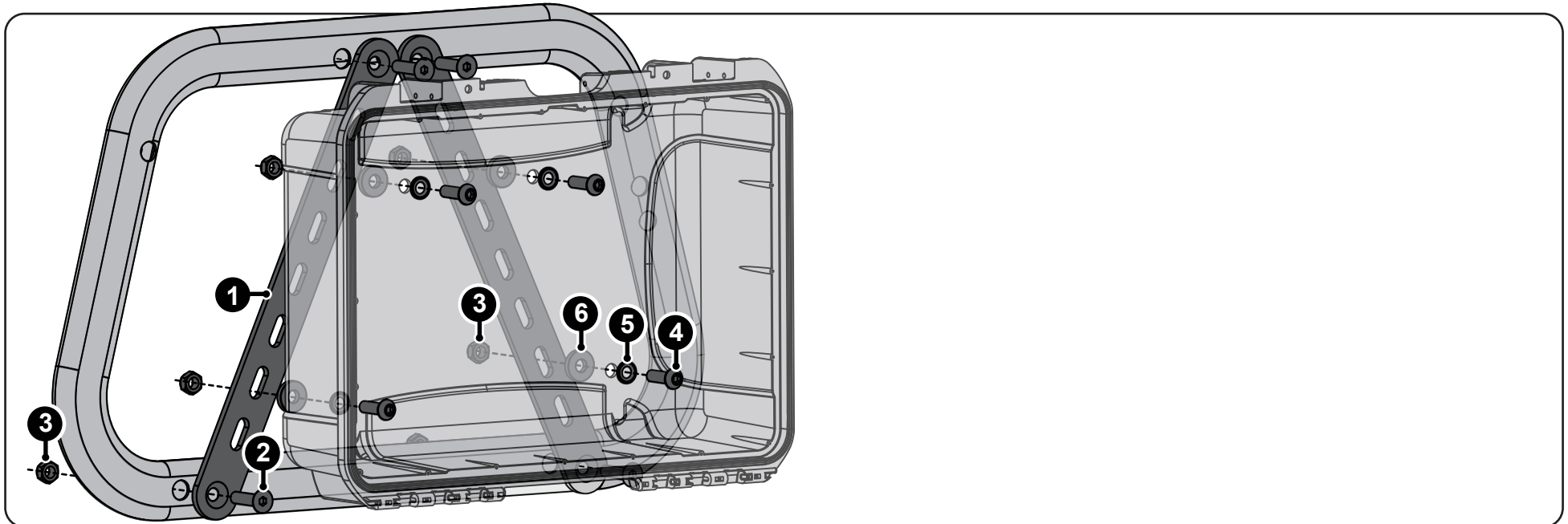
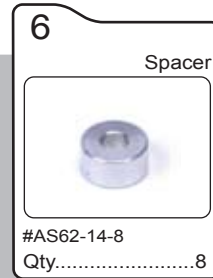
Twisted Throttle LLC
570 Nooseneck Hill Rd
Exeter, RI 02822

Phone: 401.284.4200
Fax: 401.223.6954
www.twistedthrottle.com

Step 1



Step 2



Step One: Bolt the mountings bracket to the rack using the included hardware.

Step Two: Place the case against the brackets and mark the hole pattern on the case. Using a 6mm drill bit, drill through the back side of the case. Using the included hardware, bolt the case to the rack.