

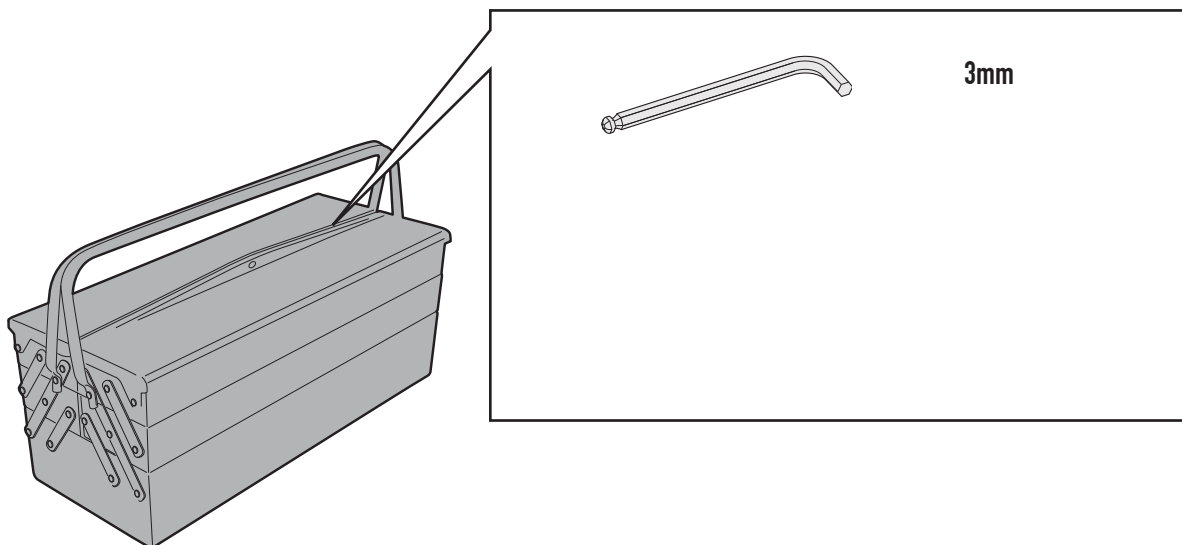
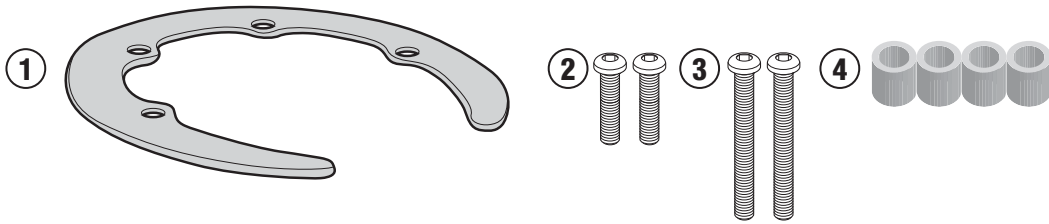
BF31 – BF31K

Flangia Specifica per borse Tanklock – Specific Carrier for Tanklock bags
Brides spécifiques pour Tanklock bagagerie souple – Tankringen für tanklock Weichtaschen
Aro específico para bolsa Tanklock

N°	Descrizione	Caratteristiche	Codice	Quantità
1	Flangia - Support Brides - Tankringen - Aro	-	GL3640V	1
2	Vite - Screw Vis - Schraube Tornillo	TBEI M5x20	520TBEI	2
3	Vite - Screw Vis - Schraube Tornillo	TBEI M5x45	545TBEI	2
4	Distanziale - Spacer Entretoise - Distanzstueck Distanciador	Ø7,5x8 foro 5.2mm	C7,5L8F5,2T	4
5	Particolari inclusi nella borsa tanklock - Components included in the tanklock bag - Pièces incluses dans la tanklock bag - Teile inkludiert in der tanklock tasche - Componente incluído na bolsa tanklock	-	ZT480F	-

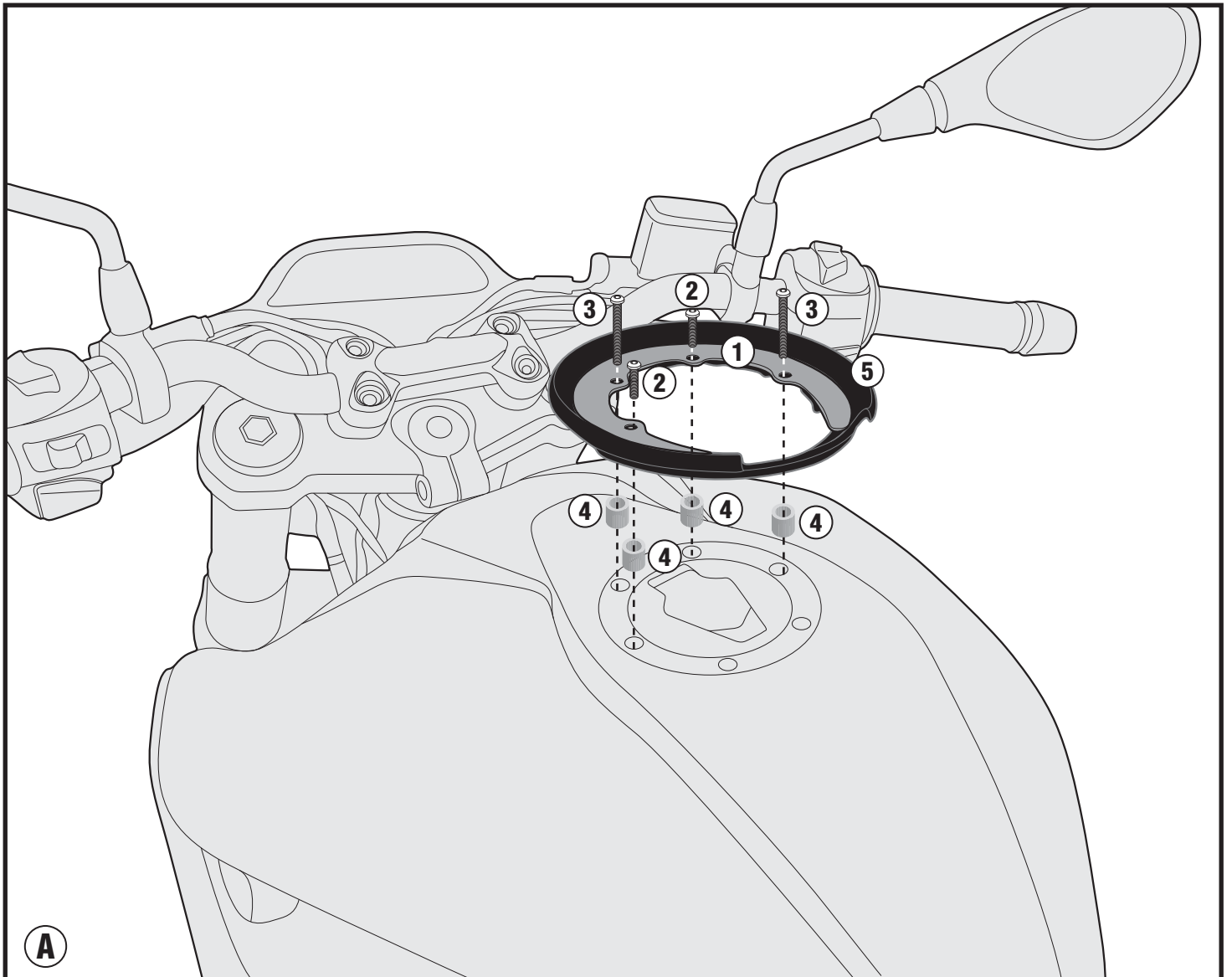
BF31 - BF31K

Flangia Specifica per borse Tanklock - Specific Carrier for Tanklock bags
Brides spécifiques pour Tanklock bagagerie souple - Tankringen für tanklock Weichtaschen
Aro específico para bolsa Tanklock



BF31 - BF31K

Flangia Specifica per borse Tanklock - Specific Carrier for Tanklock bags
Brides spécifiques pour Tanklock bagagerie souple - Tankringen für tanklock Weichtaschen
Aro específico para bolsa Tanklock



A